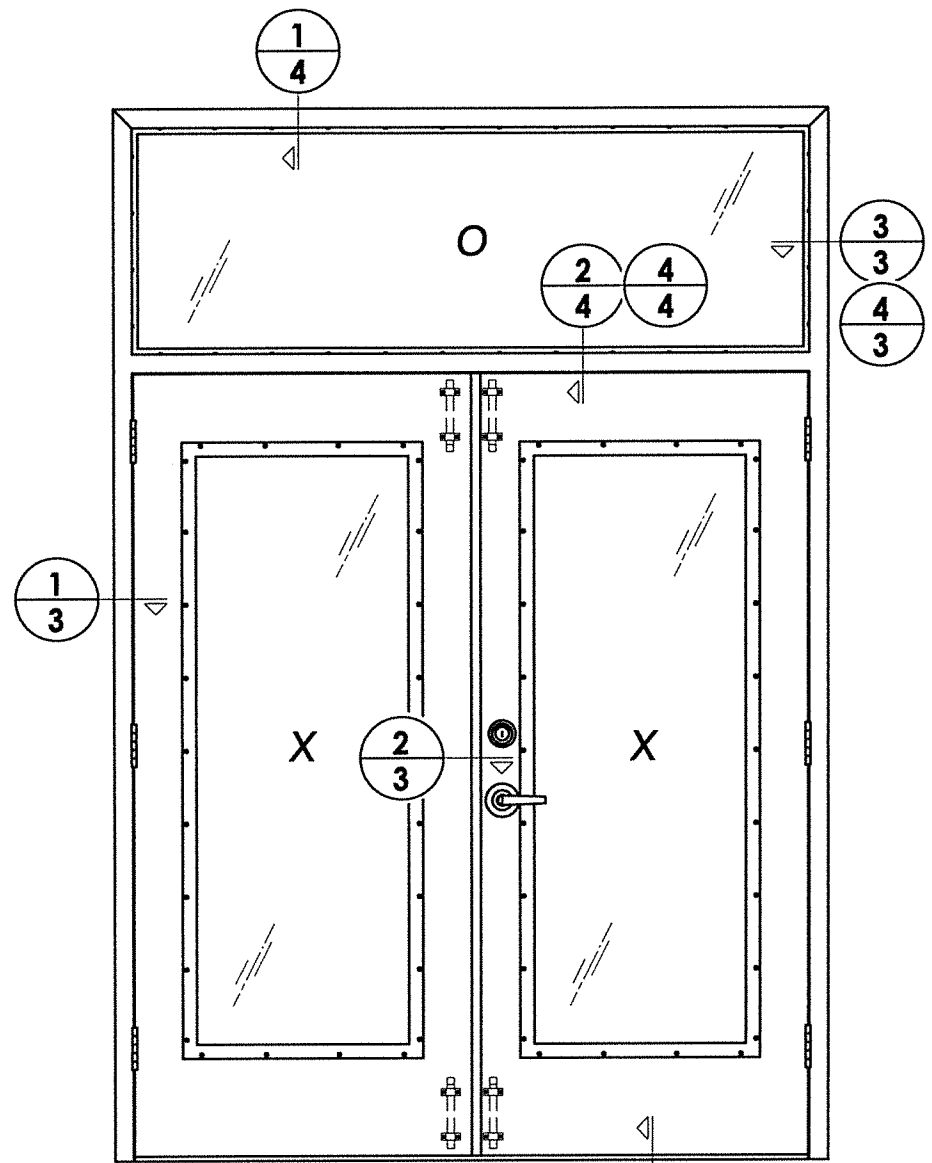
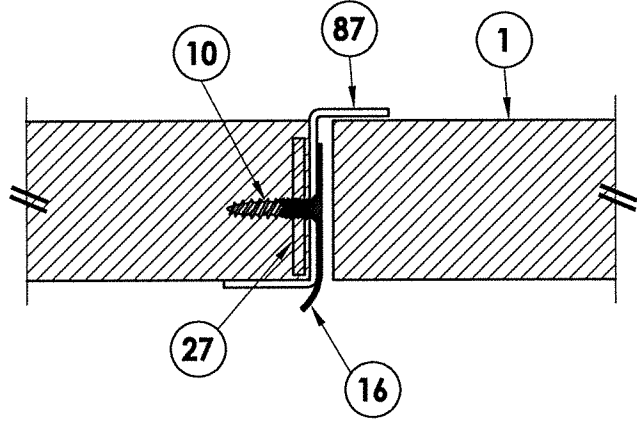


1
3 HORIZONTAL CROSS SECTION

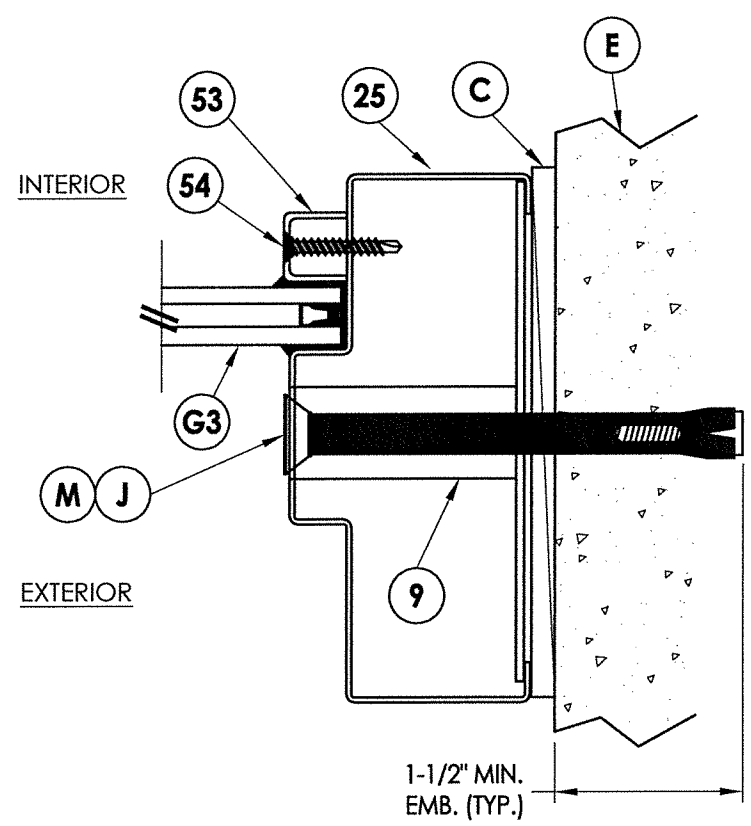


INTERIOR

EXTERIOR



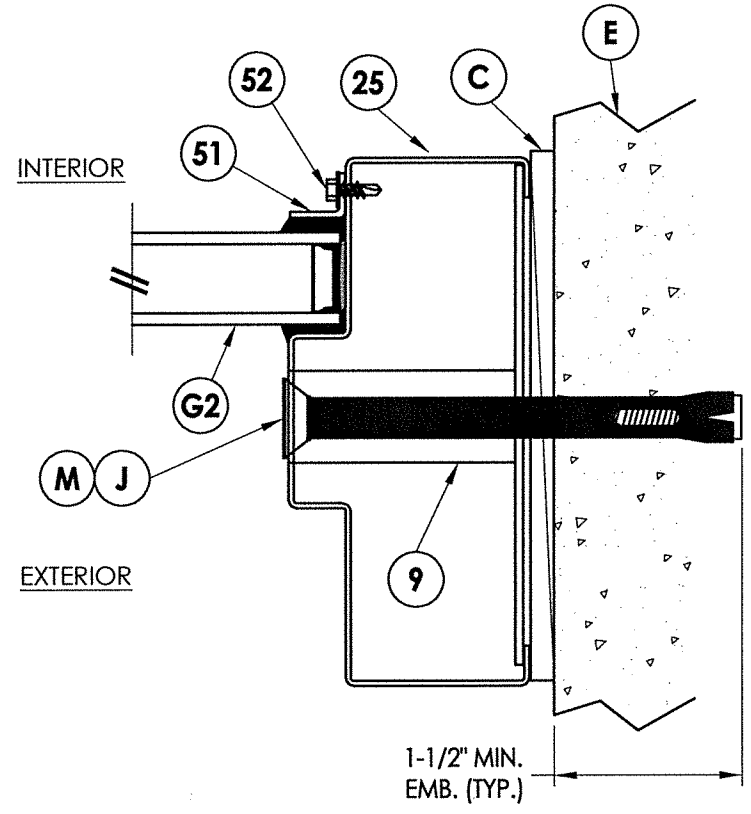
2
3 HORIZONTAL CROSS SECTION



INTERIOR

EXTERIOR

4
3 HORIZONTAL CROSS SECTION
Optional glazing



INTERIOR

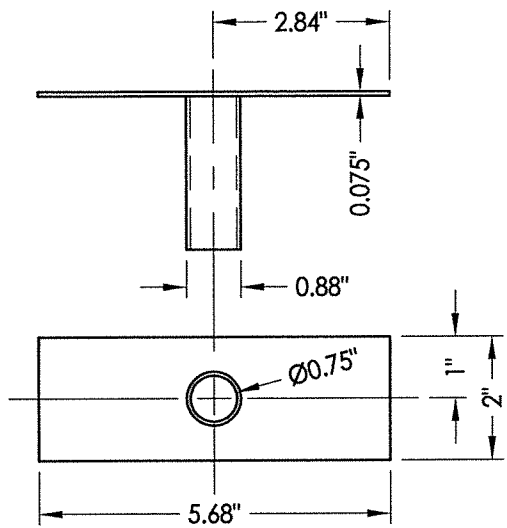
EXTERIOR

3
3 HORIZONTAL CROSS SECTION

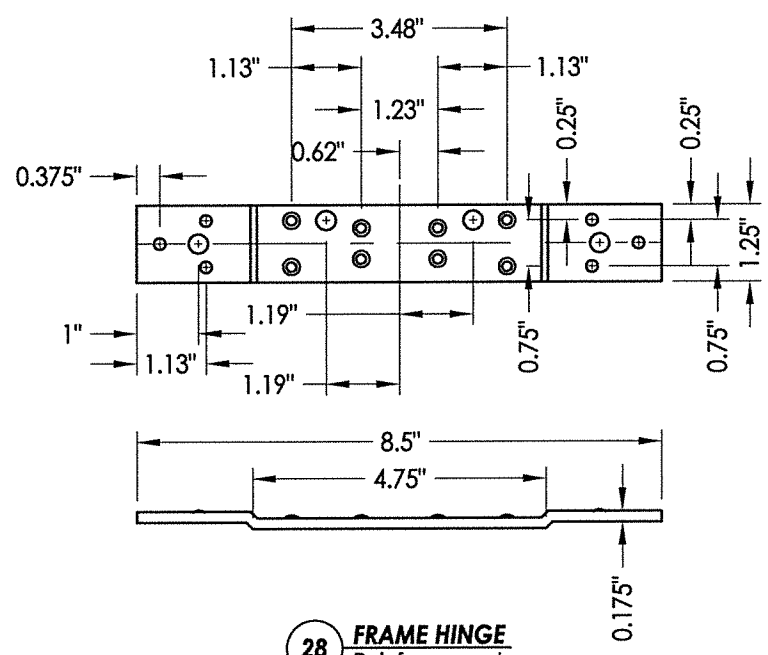
November 15, 2022
 Documents Prepared By:
 Lyndon F. Schmidt
 P.E. No. 43409

RW
 BUILDING CONSULTANTS, INC.
 P.O. Box 230, Valrico, FL 33595
 Phone No.: 813.659.9197
 FBPE Registry No. 9813

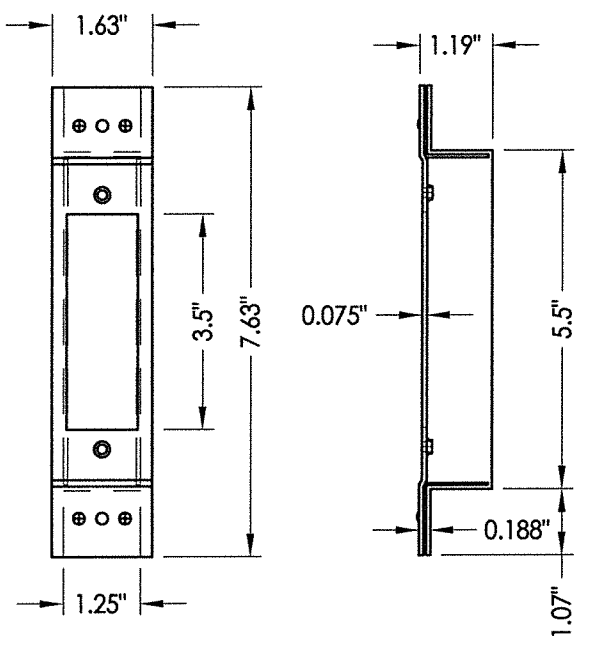
PRODUCT: PREMIER PRODUCTS, INC. "D" STEEL DOOR		PART OR ASSEMBLY: HORIZONTAL CROSS SECTIONS	
DATE:	11/10/22	NO.	BY
SCALE:	N.T.S.	DATE	REVISIONS
DWG. BY:	LFS		
CHK. BY:	RW		
DRAWING NO.:	FL-41788.4		
SHEET	3	OF	7



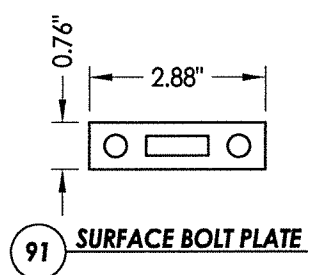
9 **TUBE ANCHOR**



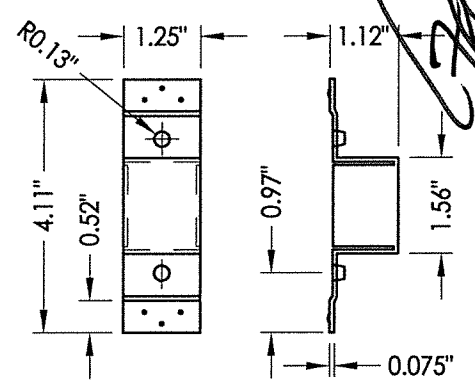
28 **FRAME HINGE**
Reinforcement



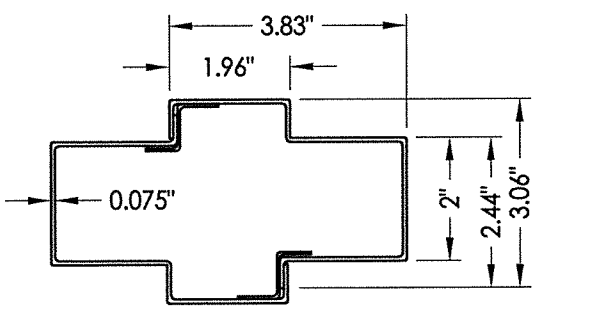
27 **LATCH STRIKE REINFORCEMENT**



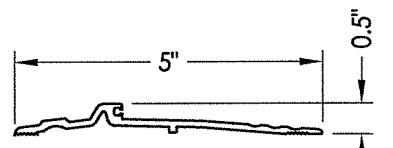
91 **SURFACE BOLT PLATE**



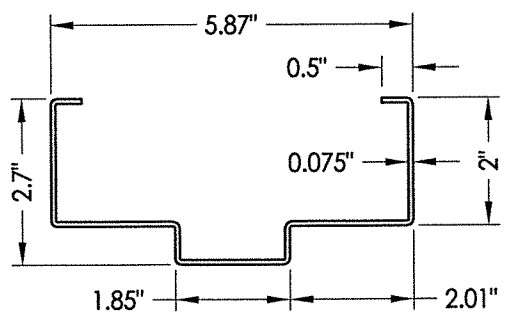
19 **DEADBOLT STRIKE REINFORCEMENT**



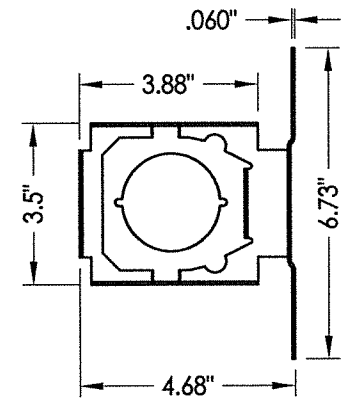
15 **MULLION**



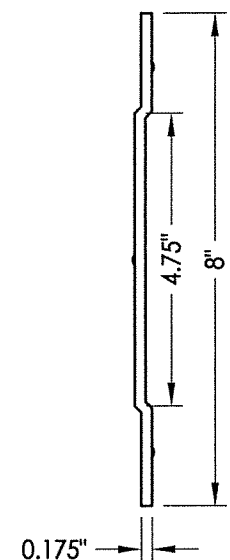
40 **THRESHOLD**



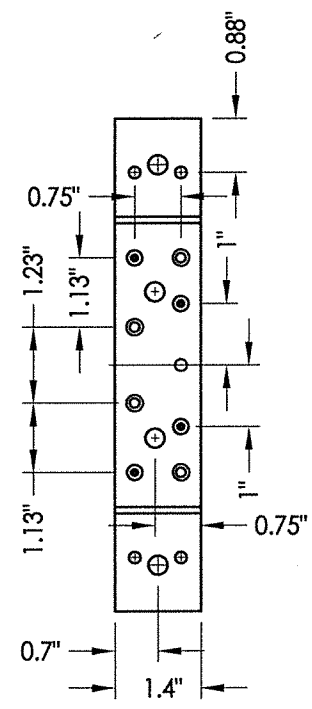
25 **HOLLOW METAL FRAME**



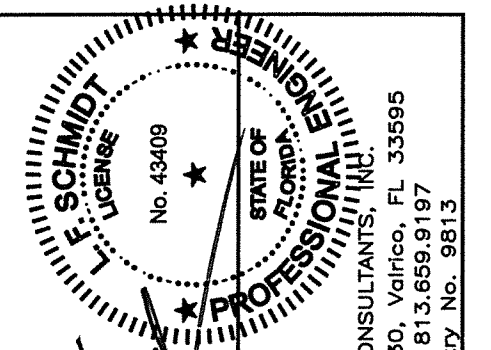
5 **LOCK BOX REINFORCEMENT**



23 **STANDARD (SHORT) DOOR HINGE**
Reinforcement middle and bottom hinge



22 **STANDARD (LONG) DOOR HINGE**
Reinforcement top hinge



November 15, 2022
 Documents Prepared By:
 Lyndon F. Schmidt
 P.E. No. 43409
 RW BUILDING CONSULTANTS, INC.
 P.O. Box 230, Valrico, FL 33595
 Phone No.: 813.659.9197
 FBPE Registry No. 9813

PRODUCT: PREMIER PRODUCTS, INC. "D" STEEL DOOR
 PART OR ASSEMBLY: COMPONENTS

NO.	DATE	BY	REVISIONS

DATE: 11/10/22
 SCALE: N.T.S.
 DWG. BY: LFS
 CHK. BY: RW
 DRAWING NO.: FL-41788.4
 SHEET 6 OF 7

